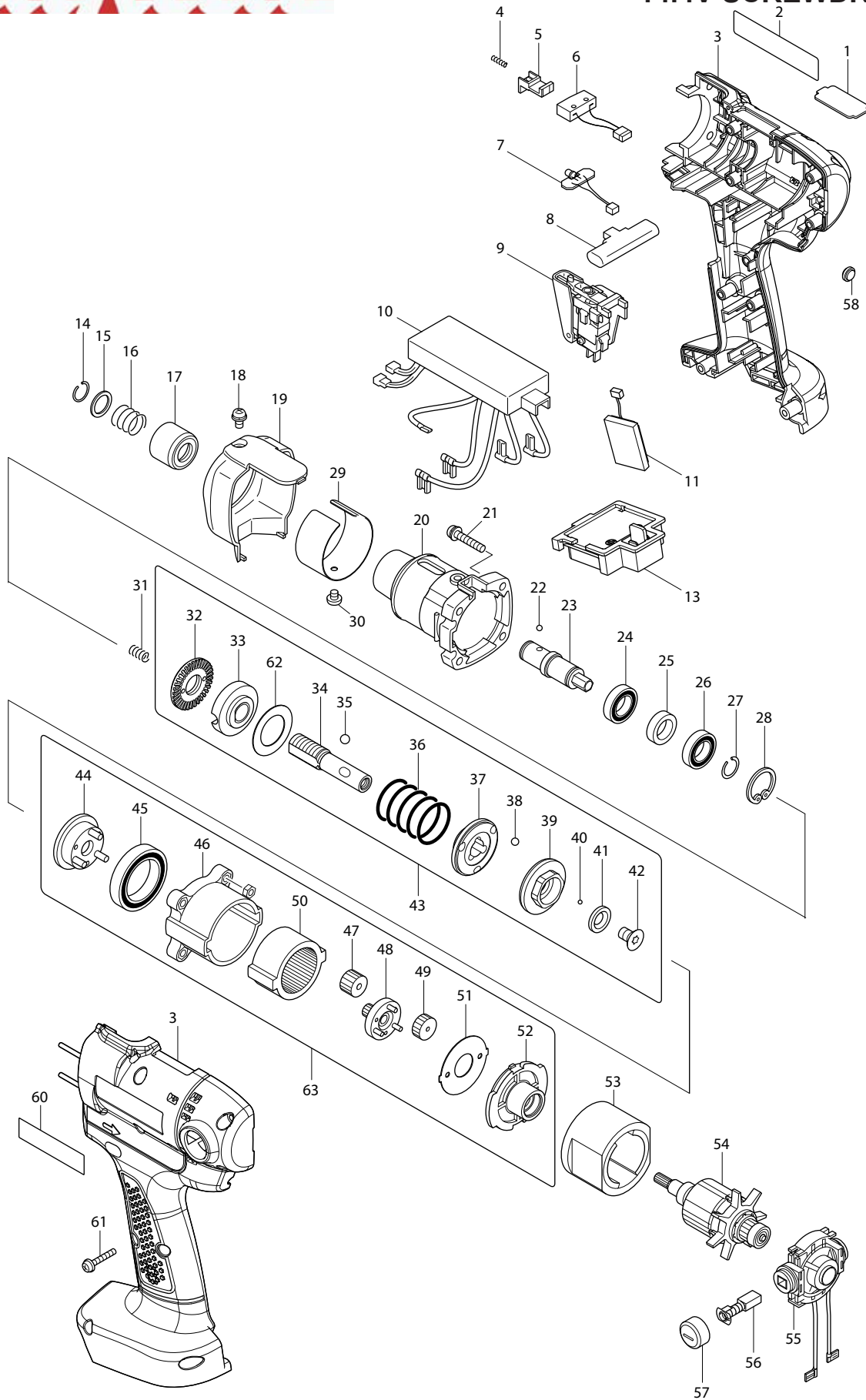




08 - 2015

DFT044FZ

# 14.4V SCREWDRIVER



Item No.	Type	Ref	Part No.	Description	Qty	Unit
1			345343-6	PLATE G, 1 - 4Nm	1	PC.
2			851L53-2	NAME PLATE F/DFT044F	1	PC.
3			187486-6	HOUSING SET	1	SET
		INC		Item No. 60		
4			233025-1	COMPRESSION SPRING 2	1	PC.
5			418002-6	SWITCH LEVER	1	PC.
6			638274-9	SWITCH UNIT	1	PC.
7			631513-6	LED CIRCUIT	1	PC.
8			417511-2	F/R CHANGE LEVER	1	PC.
9			650536-5	SWITCH C3Z-5-01, SINGLE W/O LOCK REV	1	PC.
10			632A44-4	CONTROLLER UNIT	1	PC.
11			631514-4	BUZZER CIRCUIT	1	PC.
13			643828-9	TERMINAL	1	PC.
14			231965-7	RING SPRING 10	1	PC.
15			267143-3	FLAT WASHER 11	1	PC.
16			233005-7	COMPRESSION SPRING 13	1	PC.
17			162218-2	SLEEVE	1	PC.
18			265171-2	PAN HEAD SCREW M4X8	1	PC.
19			418289-0	CLUTCH CASE COVER	1	PC.
20			317694-7	CLUTCH CASE	1	PC.
21			265145-3	+ PAN HEAD SCREW M4X22	4	PC.
22			216019-1	STEEL BALL 3	2	PC.
23			324377-2	SPINDLE M	1	PC.
24			211136-2	BALL BEARING 6801LLB	1	PC.
25			257011-8	RING 12	1	PC.
26			211136-2	BALL BEARING 6801LLB	1	PC.
27			231951-8	RING SPRING 11	1	PC.
28			962111-8	RETAINING RING R-21	1	PC.
29			345349-4	RING 38G	1	PC.
30			265127-5	+ PAN HEAD SCREW M4X4	1	PC.
31			233019-6	COMPRESSION SPRING 5	1	PC.
32			324834-0	LOCK NUT M12	1	PC.
33			158408-3	ADJUST RING COMPLETE	1	PC.
34			324296-2	SPINDLE	1	PC.
35			216018-3	STEEL BALL 5.0	3	PC.
36			233385-1	COMPRESSION SPRING 19D	1	PC.
37			223146-7	CAM D	1	PC.
38			216024-8	STEEL BALL 4	3	PC.
39			223143-3	CAM C	1	PC.
40			216019-1	STEEL BALL 3	13	PC.
41			267247-1	FLAT WASHER 7	1	PC.
42			266305-0	TORX C.S HEAD SCREW M5X10	1	PC.
43			125391-9	CLUTCH ASS'Y D	1	PC.
		INC		Item No. 32-42,62		
44			153443-6	CARRIER COMPLETE A	1	PC.
45			211375-4	BALL BEARING 6805LLB	1	PC.
46			418004-2	GEAR CASE	1	PC.
47			227050-2	SPUR GEAR 13	3	PC.
48			153684-4	SPUR GEAR 20 COMPLETE C	1	PC.
49			227104-5	SPUR GEAR 15	3	PC.
50			227048-9	INTERNAL GEAR 47	1	PC.
51			267774-8	LOCK WASHER	1	PC.
52			418003-4	MOTOR BRACKET	1	PC.
53			638191-3	YOKE UNIT	1	PC.
54			619308-7	ARMATURE	1	PC.
55			638195-5	ENDBELL COMPLETE	1	PC.
56			195020-8	CARBON BRUSH CB-434 2PC/SET W/ ORIGIN	1	SET
57			643933-2	BRUSH HOLDER CAP	2	PC.
58			419829-7	LENS	1	PC.
60			819216-4	MAKITA LOGO LABEL	1	PC.
61			265095-2	PAN HEAD SCREW M3X20	8	PC.
62			267276-4	FLAT WASHER 18	1	PC.

Item No.	Type	Ref	Part No.	Description	Qty	Unit
63			125231-1	GEAR ASS'Y E	1	PC.
		INC		Item No. 44-52		
E01			802J50-9	CAUTION LABEL	1	PC.
<b><u>ACCESSORIES</u></b>						
<b>- See Catalogue or visit <a href="http://www.makita.ca">www.makita.ca</a> for more accessories -</b>						
A01			765027-4	TORQUE ADJUST TOOL	1	PC.
A02			193874-7	GRIP BASE SET	1	SET
A03			273443-1	GRIP 37	1	PC.
A04			418423-2	PROTECTOR(YELLOW)	1	PC.
			418424-0	PROTECTOR(BLUE)	1	PC.
			418425-8	PROTECTOR(RED)	1	PC.
			450331-1	PROTECTOR(CLEAR)	1	PC.
A05		-----		<a href="#">14.4V LI-ION BATTERY</a>		
A06		-----		<a href="#">BATTERY CHARGER</a>		
A07		-----		<a href="#">LI-ION BATTERY ACCESSORIES</a>		
A08			195231-5	ANTI KICK BACK HEAD M ASSY (EN Label) - SPECIAL ORDER	1	PC.